

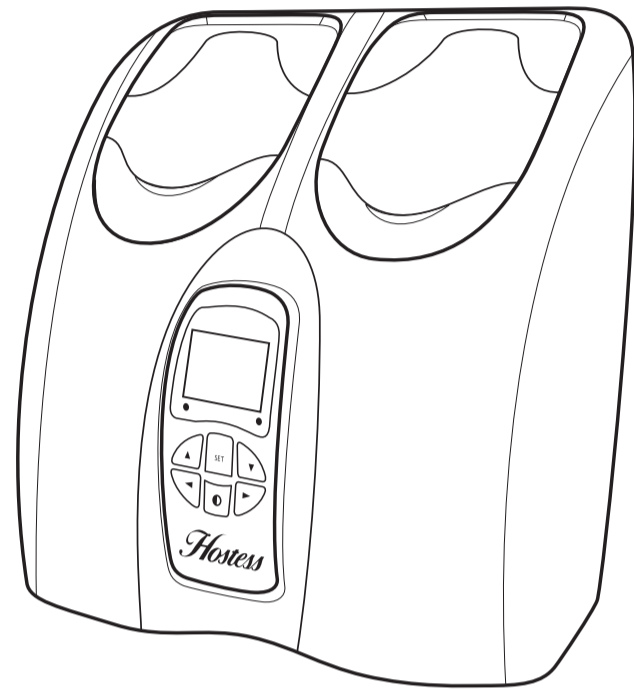
Wine Library

Red Wine	Temp. (°C)	White Wine	Temp. (°C)	Champagne	Temp. (°C)
Beaujolais	12	Chablis	8	Asti Spumante	5
Beaujolais Nouveau	10	Chardonnay	9	Champagne	7
Bordeaux	18	Chenin Blanc	7	Sparkling Wine	7
Cabernet	18	Ice Wines	6		
Cabernet Sauvignon	19	Muscadet	8		
Chianti	15	Pinot Grigio	9		
Merlot	18	Pinot	8		
Non Vintage Port	14	Reisling	8		
Pinot Noir	16	Rioja	8		
Red Burgundy	17	Sancerre	8		
Rioja	16	Sauternes	11		
Rosé	12	Sauvignon	8		
Shiraz	18	Sauvignon Blanc	9		
Valpolicella	14	Semillon	9		
Vintage Port	19	Zinfandel	8		

Hostess

Wine Bottle Chiller

Model: HW02MA

INSTRUCTION MANUAL

210

U.K. WIRING INSTRUCTIONS:

The wires in the mains lead are coloured in accordance with the following code:
BLUE = NEUTRAL, BROWN = LIVE

As the colours of the wire in the mains lead of this appliance may not correspond with the colour markings identifying the terminals on your plug, proceed as follows:

The wire which is coloured BLUE must be connected to the terminal which is marked with the letter N or coloured black.

The wire which is coloured BROWN must be connected to the terminal which is marked with the letter L or coloured red.

The AC/DC Adaptor does not need to be earthed so there is no green/yellow wire in the cord.
The UK plug should be fitted with a 3A fuse.

If you encounter any problems with your Hostess Wine Bottle Chiller, please contact the appropriate Service Department.

If the Wine Bottle Chiller was bought in the UK, please contact:

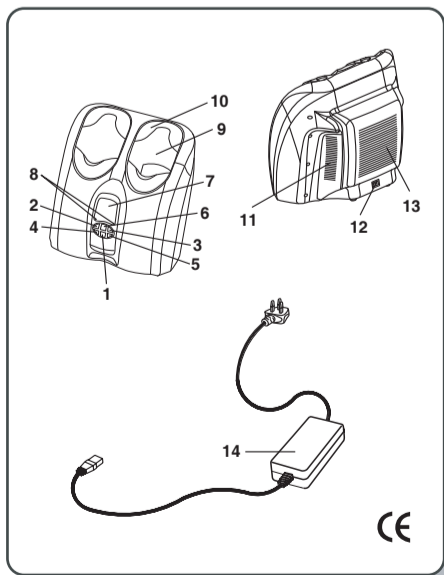
**Hostess Customer Service Department,
Crosslee plc,
Halifax, West Yorkshire,
United Kingdom HX3 8DE
Telephone: 01422 203963**

If the Wine Bottle Chiller was bought outside the UK, please contact your retailer.

IMPORTANT SAFETY INSTRUCTIONS:

Read these instructions thoroughly before using the product.

1. This Wine Bottle Chiller is intended for household use only.
2. Do not operate the Wine Bottle Chiller with a damaged power cord or plug. If the AC/DC adapter is damaged it must be replaced by the manufacturer or a suitably qualified person.
3. Never put ice or water into the container.
4. Always turn the product off after use, before cleaning, or before moving the appliance.
5. Ensure that the air vents are not blocked.
6. Do not place the appliance near an open flame, cooking or heating appliances, or hot surfaces.
7. This appliance is not intended for use in wet or damp conditions.
8. The Wine Bottle Chiller should not be operated outdoors.
9. The appliance must be operated on a dry, level surface.
10. Ensure that the power cord is positioned so that it will not get damaged or cause a trip hazard.
11. Never place the power cord under a carpet or rug.
12. Use only the AC/DC adapter supplied with the appliance.
13. This appliance is not intended for use by persons (including children) with reduced physical, sensory or mental capabilities, or lack of experience or knowledge unless they have been given supervision or instruction concerning use of the appliance by a person responsible for their safety. Children should be supervised to ensure that they do not play with the appliance.
14. To avoid electric shock do not open the casing. There are no user serviceable parts inside.

FEATURES:

1. Power Switch
2. Up Button
3. Down Button
4. Left Chamber Select
5. Right Chamber Select
6. SET Button
7. Display
8. Ready Indicators
9. Right Hand Bottle Chamber
10. Rubber Collar
11. Cooling Fan Exit Air Vent
12. DC Input Socket
13. Cooling Fan Inlet Air Vent
14. AC/DC Adapter (230V~ / 12Vdc 6A)


OPERATION:

- Connect the Power Output Plug into the DC Input Socket (12) at the back of the unit.
- Slide the plastic covers on the front of the Bottle Chambers down.
- Place the wine bottles into the Bottle Chambers ensuring that they are pressed against the curved cooling plates.
Note: The unit can be used to chill/warm either one or two bottles of wine.
- Raise the plastic covers to encase the wine bottles.
- Connect the plug into a mains socket and switch on the supply.
- Press and hold the Power Switch. The Display will then illuminate and show 'Left Side'.
- Press the Left or Right Chamber Select buttons to select the left or right hand Bottle Chamber.
- Press the SET button to enter the Wine Library.
- Press the Up or Down buttons to select red wine, white wine or champagne.
- Press the SET button again and then Up or Down to select your specific wine type.
- Press the SET button again and the chilling/warming process will commence in the selected chamber.
- If chilling/warming two bottles at the same time, use the Left or Right Chamber Select buttons to select the left or right hand chamber and then follow the selection procedure as detailed above.
- The Display will show the preset temperatures that have been selected. A bar graph indicates how close the wine bottle temperature is to reaching the selected temperature.
- When the wine bottle has reached the selected temperature the buzzer will sound, the blue Ready Indicator will illuminate and the display will show 'Enjoy'.
- At this point, as long as the bottle is left in the chamber, the unit will cycle on and off to maintain the preset temperature. If the bottle is removed and then returned to the chamber, the control will check the bottle temperature and if necessary restart the chilling/warming process until the preset temperature has been reached again.
- Press and hold the Power Switch to switch off the unit.
- Switch off the mains supply at the socket and remove the plug.

NOTE:

1. To reduce the time required to chill the wine to the selected temperature it is recommended that the bottle is first chilled in a refrigerator.
2. The cooler wine will naturally settle at the bottom of the bottle. The cooling process can be assisted by occasionally removing the bottle and gently tilting and rotating the bottle to mix the cooler and warmer wine.

ENVIRONMENTAL NOTE

 This symbol on the product indicates that it must not be discarded as general household waste. Instead it should be handed over to the applicable collection point for the recycling of electrical and electronic equipment. Disposal must be carried out in accordance with local environmental regulations for waste disposal.

By disposing of this product correctly you will help prevent potential negative consequences for the environment and human health, which would otherwise be caused by inappropriate waste handling of this product.