

Hostess

Wine Cabinet

INSTRUCTION MANUAL

**Model Numbers: HW07MA
 HW40RMA
 HW46MA**

BEFORE USE, PLEASE READ AND FOLLOW ALL SAFETY RULES AND OPERATING INSTRUCTIONS.

DISPOSAL OF OLD APPLIANCES

Before disposing of an old appliance remove any plugs and power leads to ensure that the appliance is inoperative. Remove the door, but leave the shelves in place to prevent children climbing inside.



This symbol on the product indicates that it must not be discarded as general household waste. Instead it should be handed over to the applicable collection point for the recycling of electrical and electronic equipment. Disposal must be carried out in accordance with local environmental regulations for waste disposal.

By disposing of this product correctly you will help prevent potential negative consequences for the environment and human health, which would otherwise be caused by inappropriate waste handling of this product.

Warning: When disposing of an old appliance make sure that the pipe work does not become damaged.

BEFORE INSTALLING AND USING YOUR NEW APPLIANCE

Read through the instructions supplied with the appliance – failure to install or use this appliance in accordance with the instruction book may invalidate any warranty.

The manufacturer does not accept any liability for damage caused through improper use, or incorrect installation. Do not install this appliance if it has been damaged during transportation. This includes the plug and supply cord. Please keep these instructions in a safe place for future reference.

Note: This appliance is intended to be used exclusively for the storage of wine.

IMPORTANT SAFETY INSTRUCTIONS

- To prevent damage to the door and door gasket, make sure the door is fully opened before pulling out any shelves.
- Do not move the Wine Cabinet when it is loaded with wine, you might distort the appliance.
- If the power lead becomes damaged it should only be replaced by the manufacturer or a suitably qualified person.
- Never allow children to operate, play with, or crawl inside the appliance.
- Never clean appliance parts with flammable fluids.
- Do not store or use gasoline or any other flammable vapours and liquids in the vicinity of this or any other appliance. This can create a fire hazard or explosion.
- **Warning:** Do not allow the refrigerant circuit to become damaged while using or installing the appliance. Should it become damaged, do not use the appliance until you are instructed to do so by a service engineer. Refrigerant can ignite or cause damage to the eye when leaking.
- Always remember to unplug the appliance before cleaning. When disconnecting from the electricity supply, pull the plug, not the power cord.
- Do not use anything electrical inside the Wine Cabinet.
- All electrical repairs must be carried out by a qualified service engineer. Inadequate repairs may result in a major source of danger for the user and invalidate any warranty.
- Never store anything dangerous inside the appliance, such as combustibles, explosives, strong acid or alkali etc.
- Always keep any ventilation openings clear of obstruction. Should they become blocked, clear them straight away.
- Make sure that the plug is in an accessible place when installation is complete.
- Only use this appliance for domestic purposes in accordance with these instructions.
- The Wine Cabinet is suitable for storing wine (or other bottled beverages). It is not suitable for storing fresh or frozen foods.
- This appliance is not intended for use by persons (including children) with reduced physical, sensory or mental capabilities, or lack of experience and knowledge, unless they have been given supervision or instruction concerning use of the appliance by a person responsible for their safety.

ELECTRICAL REQUIREMENTS

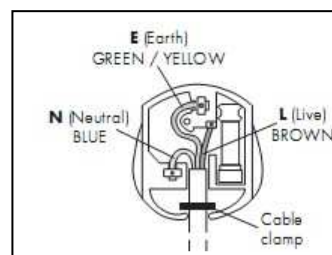
Any electrical work required to install this appliance should be carried out by a qualified electrician or competent person. The manufacturer declines any liability should these safety measures not be observed.


Warning: This appliance must be earthed.

- Before switching on, make sure the electricity supply voltage is the same as that indicated on the appliance rating plate.
- The plug must still be accessible after the appliance has been installed.
- The appliance should not be connected to the electrical supply by means of an extension cable.

The appliance is supplied with a 13 amp plug fitted. In the event of having to change the fuse in the plug supplied, a 13 amp ASTA approved (BS 1362) fuse must be used. Should the plug need to be replaced for any reason. The wires in the mains lead are coloured in accordance with the following code:

Green and Yellow: Earth
Blue: Neutral
Brown: Live



The wire coloured green and yellow must be connected to the terminal marked with the letter “E” or by the earth symbol  or coloured green and yellow. The wire coloured blue must be connected to the terminal “N”. The wire coloured brown must be connected to the terminal marked “L”.

INSTALLATION OF YOUR WINE CABINET

- Remove the exterior and interior packing.
- **Note:** Before connecting the Wine Cabinet to the power source, let it stand upright for approximately 2 hours. This will reduce the possibility of a malfunction in the cooling system from handling during transportation.
- Clean the interior surface with lukewarm water using a soft cloth.
- Install the handle on the left side of the door.
- Place your Wine Cabinet on a floor that is strong enough to support it when it is fully loaded. To level your Wine Cabinet, adjust the front levelling foot at the bottom of the Wine Cabinet.
- Locate the Wine Cabinet away from direct sunlight and sources of heat (stove, heater, radiator, etc.). Direct sunlight may affect the acrylic coating and heat sources may increase electrical consumption. Extreme cold ambient temperatures may also cause the unit not to perform properly.
- Avoid locating the unit in moist areas.
- The Wine Cabinet should be positioned where the ambient temperature is between 5°C and 35°C. If the ambient temperature is above or below this range, the performance of the unit may be affected. Placing the appliance in extreme cold or hot conditions may cause the interior temperatures to fluctuate. The range of setting temperatures may not be reached.
- Plug the Wine Cabinet into an appropriate socket. Should the plug require changing, use the instructions as given in the Electrical Requirements section.

HW07MA

This model is designed for built-in installation only. Cooling air is taken in through the vents in the front plinth. This area must be kept clear when the appliance is installed. Appliance dimensions are 870 x 147 x 475mm (H x W x D). The minimum cabinet opening dimensions required are 878 x 162 x 525mm.

HW40RMA

This model is designed for free-standing installation only. The top of the cabinet must not be covered and it will get warm during normal operation. It is recommended that a minimum clearance of 100mm is left at the sides and rear of the appliance to allow air to circulate. Appliance dimensions are 845 x 495 x 585mm (H x W x D).

HW46MA

This model is designed for built-in or free-standing installation. The warm air is expelled through the vents in the front plinth. This area must be kept clear when the appliance is installed.

Appliance dimensions are 870 x 595 x 575mm (H x W x D). The feet are adjustable so the cabinet height can be increased up to 890mm. The minimum cabinet opening dimensions required are 878 x 610 x 625mm.

Reversing the Door

Note: The door on the HW40RMA model is not reversible.

HW07MA, HW46MA

These models are supplied with the door opening from the left hand side. To reverse the opening direction please follow the instructions given below:

- Remove the 2 screws underneath the right lower hinge.
- Gentle pull the bottom of the door forward and remove the lower door pin.
- Lower the door away from the right top hinge and carefully place aside.
- Remove both the right upper hinge and the right lower hinge.
- Remove the black plastic pegs from the cabinet on the left hand side and insert them into the holes on the right hand side.
- Secure the left top hinge and left bottom hinge (supplied) to the cabinet.
- Locate the door onto the left top hinge and hold the lower door pin in place.
- Align the door with the cabinet and secure the 2 screws through the left lower hinge into the lower door pin.
- Check that the door opens freely and that the seal is made all round.

OPERATING YOUR WINE CABINET

HW07MA



LAMP Button

Press to turn the interior light on/off.

SET Button

Press to select the required temperature.

Setting the Temperature Control

- Set the required temperature by pressing the SET button. The display will scroll through the available temperature settings in decrements of 1°C. When the button is pushed for the first time, the display will show the default temperature (12°C). The temperature can be set between 5 - 18°C.
- The selected temperature will flash in the display for approximately 5 seconds. The display will then revert back to showing the current interior temperature of the cabinet.

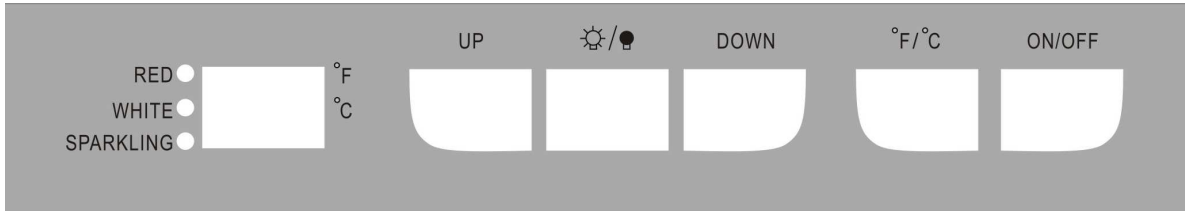
HW40RMA

Recommended Temperatures for Chilling Wine.

Red Wines: 15 - 18°C (58 - 65°F)

Dry/White Wines 9 - 14°C (48 - 57°F)

Sparkling Wines 5 - 8°C (40 - 47°F)



ON/OFF Switch

To turn OFF the appliance, press the ON/OFF button. (Press and hold the button for approximately 2 seconds)

°C/°F Switch

Press to select whether the temperature is displayed in degrees Celsius or Fahrenheit.

Light Switch

Press to turn the interior light on/off.

UP Button

Press to increase the set temperature in 1°C increments.

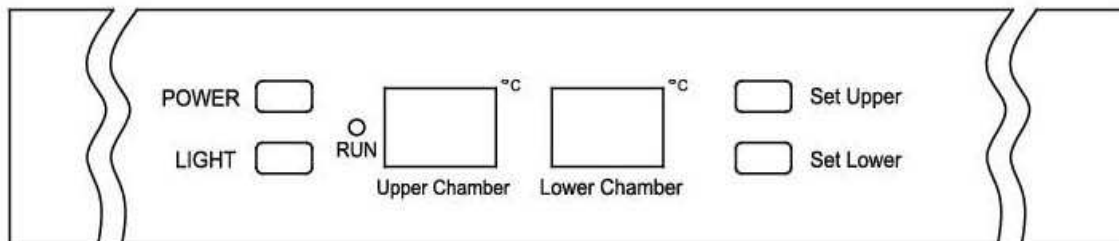
DOWN Button

Press to decrease the set temperature in 1°C decrements.

Setting the Temperature Control

- Set the required temperature by pressing the UP or DOWN button. When either of the two buttons is pushed for the first time, the display will show the default temperature (12°C).
- If storing mostly red wines, it is recommended that the temperature is set between 15 and 18°C (58 - 65°F). The "RED" indicator will illuminate red to show that this temperature range has been selected.
- If storing mostly white wines, it is recommended that the temperature is set between 9 and 14°C (48 - 57°F). The "WHITE" indicator will illuminate green to show that this temperature range has been selected.
- If storing mostly sparkling wines, it is recommended that the temperature is set between 5 and 8°C (40 - 47°F). The "SPARKLING" indicator will illuminate amber to show that this temperature range has been selected.
- After a few seconds the current interior temperature will be shown on the display.

HW46MA



RUN Indicator

The light illuminates to indicate that the cooling mode is currently in operation.

Light Switch

Press to turn the interior light on/off.

Power Switch

Press to turn the appliance on/off. (Press and hold the button for approximately 2 seconds)

“Set Upper” Button

Press to set the temperature of the upper compartment. Each depression of the button will scroll through the available temperature settings in decrements of 1°C.

“Set Lower” Button

Press to set the temperature of the lower compartment. Each depression of the button will scroll through the available temperature settings in decrements of 1°C.

“Upper Chamber” Display

Indicates the temperature of the upper compartment.

“Lower Chamber” Display

Indicates the temperature of the lower compartment.

Setting the Temperature Control

- The upper and lower compartments of the Wine Cabinet are independently controlled. The temperature setting of the upper compartment can be set between 5 - 12°C (40 - 54°F). The temperature setting of the lower compartment can be set between 12 - 18 °C (54 - 65°F).
- On power up the temperature settings of each compartment will show the default settings of 6°C (43°F) for the upper compartment and 12°C (54°F) for the lower compartment.
- Each depression of the Set Upper or Set Lower button will decrement the selected temperature by 1°C. The temperature selected will flash on the corresponding display for approximately 5 seconds and then the display will revert back to showing the current internal temperature.
- To view the “set” temperature at anytime press and hold the corresponding button for approximately 5 seconds, the “set” temperature will temporarily “flash” in the display for 5 seconds.

NOTE:

- If the unit is unplugged, power lost, or turned off; please wait 3 to 5 minutes before restarting the unit. If you attempt to restart before this time delay, the Wine Cabinet will not start.
- When the Wine Cabinet is powered for the first time or restarted after being turned off for a long time, there could be a few degrees variance between the temperature selected and the temperature indicated on the display. This is normal and is due to the length of the activation time. Once the Wine Cabinet has been running for a few hours the temperatures will stabilise.

CARE AND MAINTENANCE

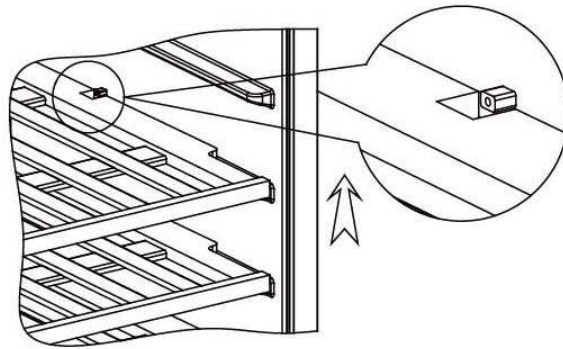
Cleaning Your Wine Cabinet

- Turn off the power, unplug the appliance and remove all items including the shelves.
- Wash the inside surfaces with a warm water and baking soda solution. The solution should be about 2 tablespoons of baking soda to a litre (2 pints) of water.
- Wash the shelves with a mild detergent solution.
- Wring excess water out of the sponge or cloth when cleaning area of the controls, or any electrical parts.
- Wash the outside of the cabinet with warm water and mild liquid detergent. Rinse well and wipe dry with a clean soft cloth.

How to remove a shelf

HW40RMA, HW46MA

- To prevent damaging the door seal, ensure that the door is fully opened before pulling the shelves out.
- For easy access to the wine bottles, the shelves can be pulled partway out.
- Before removing a shelf please remove all items first. Pull the shelf forward until the notches in the sides of the shelf align with the pegs in the sides of the cabinet. Lift the shelf up over the pegs and remove it.



Power Failure

- Most power failures are corrected within a few hours and should not affect the temperature of your appliance if you minimize the number of times the door is opened. If the power is going to be off for a longer period of time, you need to take appropriate steps to protect the contents.

Vacation Time

- Short vacations: Leave the Wine Cabinet operating during vacations of less than three weeks.
- Long vacations: If the appliance will not be used for several months, remove all items and turn off the appliance. Clean and dry the interior thoroughly. To prevent odour and mould growth, leave the door open slightly: blocking it open if necessary.

Moving Your Wine Cabinet

- Remove all items.
- Securely tape down all loose items (shelves) inside your appliance.
- Screw the adjustable feet up to the base to avoid damage.
- Tape the door shut.
- Ensure the appliance stays secure in the upright position during transportation. Also protect the outside of appliance with a blanket, or similar item.

Energy Saving Tips

- The Wine Cabinet should be located in the coolest area of the room, away from heat producing appliances, and out of the direct sunlight.

PROBLEMS WITH YOUR WINE CABINET?

If you have a problem with your Wine Cabinet please consult the troubleshooting guide below for a possible solution to the problem before you call a Service Engineer.

TROUBLESHOOTING GUIDE

PROBLEM	POSSIBLE CAUSE
Wine Cabinet does not operate.	Appliance not plugged in or power not switched on. The appliance is turned off. The circuit breaker has tripped or a fuse has blown.
Wine Cabinet is not cold enough.	Check the temperature control setting. External environment may require a higher setting. The door is opened too often. The door is not closed completely. The door gasket does not seal properly.
Turns on and off frequently.	The room temperature is hotter than normal. A large number of bottles have been added to the Wine Cabinet. The door is opened too often. The door is not closed completely. The temperature control is not set correctly. The door gasket does not seal properly.
The light does not work.	Appliance not plugged in or power not switched on. The appliance is turned off. The light button is "OFF".
Vibrations.	Check to assure that the Wine Cabinet is level.
The Wine Cabinet seems to make too much noise.	The rattling noise may come from the flow of the refrigerant, which is normal. As each cycle ends, you may hear gurgling sounds caused by the flow of refrigerant in your Wine Cabinet. Contraction and expansion of the inside walls may cause popping and crackling noises. The Wine Cabinet is not level.
The door will not close properly.	The Wine Cabinet is not level. The door was reversed and not properly installed. The gasket is dirty. The shelves are out of position.